

防水普通超高频智能卡标签

Water Proof IP66 General UHF Smart Card

Standard  
标准



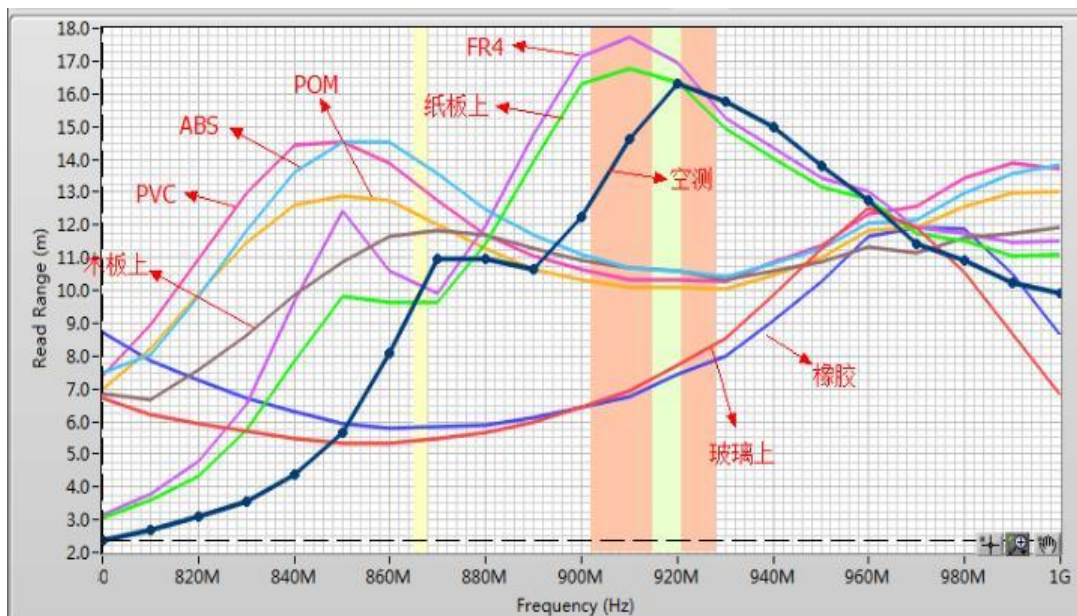
基本参数/Basic Parameters

尺寸/Size (L/OD x W/ID x H)	86*54*0.8mm(ID/OD:圆形标签内径/外径,ID/OD:inner/outer diameter of round tags)
面材封装/FaceStock or Housing	PVC层压/PVC Lamination
安装方法/Installation	悬挂/Hanging Style
天线工艺/Antenna Type	铝天线/Aluminum Antenna
技术/Technology	平面微带/Microstrip Flat Style
离型纸/Backing Liner	无/None
特征/Characters	普通(General)/防水(Water Proof IP66)

产品特性/Product Feature

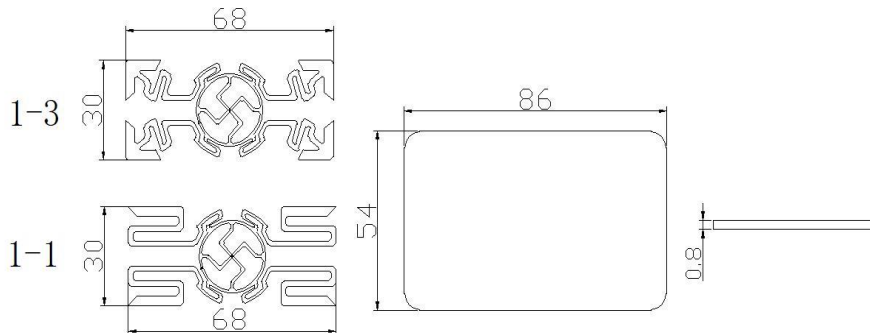
芯片/Chip Model	Qstar-73GB
协议/Protocol	ISO18000-6C GEN2 V2
频率范围/Operating Frequency	920.5-924.5Mhz
内存/Memory	TID/UID 96 bit+ EPC/Block 160 bit+ User 512 bit+ Reserve
读距/Reading Range	400cm (depends on reader)
应介质/Applicable Surface	空气(Air-free)/玻璃(Glass)/塑料(Plastic)/木板(Wood Board)/橡胶(Rubber)
个性化选项/Option	定制彩色印刷条码文本或个性化编码Custom color printing(Embossing or laser-engraving) with barcode or text & personalization encoding

附加说明/Additional



**供货方式/Delivery & Supply Format**

单片/单张/单个供货按照需要每100-1000片/个/张/包(特殊要求见附加说明) Supply in piece with 100-1000PCS/bag ((Check Additional Note for your specific request)



**应用场景/Application**

普通标签/零售标签/服装标签等主要考虑经济实用, 广泛应用于服装厂, 鞋帽厂, 时装公司, 箱包厂, 以基本产品标识、生产统计、数字化仓储盘点、减少库存、脱销预警、物流供应链、无人零售、商业促销和溯源管理为主要目的, 部分用于防伪防盗管理, 具备可重复利用率。Universal rfid/nfc tag, clothing retail garment/apparel tag mainly concerns in economic and cost-effective, widely used for apparel factory, shoe cap factory, fashion factory, suite luggage factory, mainly purpose is to identify product, production count, digital warehousing and inventory, reducing shrinkage and out-of-stocks, logistic supply chain, unman retail, business promotion and traceability management. Partially used for anti-counterfeiting and anti-theft security monitor with durable & reusable property.



**环境参数/Environmental Parameter**

数据保存/Data EEPROM Retention	10years
静电保护/ESD Limited Voltage	2KV
工作温度/Operating Temperature	-35°C - 85°C
储存温度/Storage Temperature	0°C - 25°C
操作湿度/Relative Humidity	10%-95%(Variant Performance)

**声明/STATEMENT**

上述数据是基于本公司对产品特性的一般了解, 仅供一般信息参考。客户购买本产品时应在实际应用条件下测试结果来自行决定是否适用。英诺尔向购买者保证其产品材料和工艺上没有不良。The above data is based on our company general understanding of the product attribute, is just for general reference. Buyer should evaluate product under the condition of practical application to decide whether it is suitable for your application. XMinnov guarantee their products to the buyers that there is no defect on product material and fabrication.

批准Approved By: 林阿霞  
日期Date: 2022/03/17

制作审核Prepared & Checked By: 林鸿伟  
日期Date: 2022/03/17